



Façade Panels



MCS Plastic Façade Cladding is manufactured from 100% recycled polyolefin plastic. MCS cladding has the flexibility of timber cladding with the lifespan of a plastic cladding.

MCS Plastic Cladding is an excellent solution for a wide variety of applications.

- UV, water & weather resistant
- Strong & durable
- Easy to clean
- Maintenance free
- No rotting or splintering
- Lifespan in excess of 40 years
- Can be sawn, drilled, planed, nailed, stapled & screwed just like timber

Particular attention has been given to the texture of the cladding providing a natural timber look-a-like appearance.



Cladding can be used for a wide variety of applications, office buildings, houses, sheds, garden partitions and so much more.

Panels are mounted to an aluminium H profile strip which not only provides an invisible fixing, but will also allow for natural expansion and contraction.



Greener products for a greener future

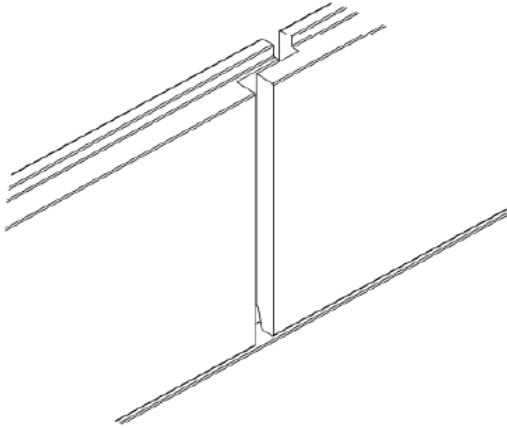
Tel: +44 (0)845 3666 521 **Fax:** +44 (0)70430 63872

Address: MCS Ltd | 11 Elliot Close | Ottery St Mary | EX11 1GZ

Web: www.marinecivilsolutions.co.uk **Email:** info@marinecivilsolutions.co.uk



Façade Panels



Façade Cladding Dimensions

Thickness: 30mm
Length: 2687mm
Height: 136, 164 or 196mm

Material: Pure polyolefin plastic
Expansion coefficient: max. 1.5mm / m / 10°C
Colour: anthracite black
Fireproof: class 3 according to NEN 6065

Cladding panels are tested and comply with NEN 6065, according to the TNO testing report 2002-CVB-R06357



Why Choose MSC Façade Cladding?

- Sustainable
- Durable
- UV, water & weather resistant
- Environmentally friendly
- No rotting or splintering
- Recyclable
- Maintenance free
- Lifespan in excess of 40 years



Greener products for a greener future

Tel: +44 (0)845 3666 521 Fax: +44 (0)70430 63872

Address: MCS Ltd | 11 Elliot Close | Ottery St Mary | EX11 1GZ

Web: www.marinecivilsolutions.co.uk Email: info@marinecivilsolutions.co.uk